

E6-10 Hinge

Position control · Constant torque

Features

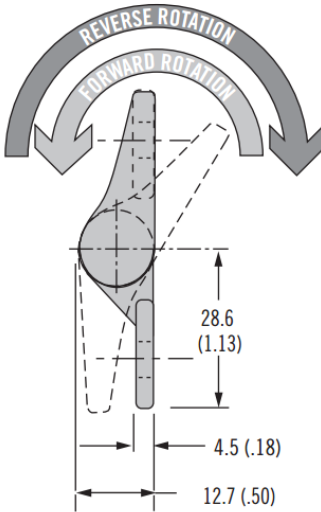
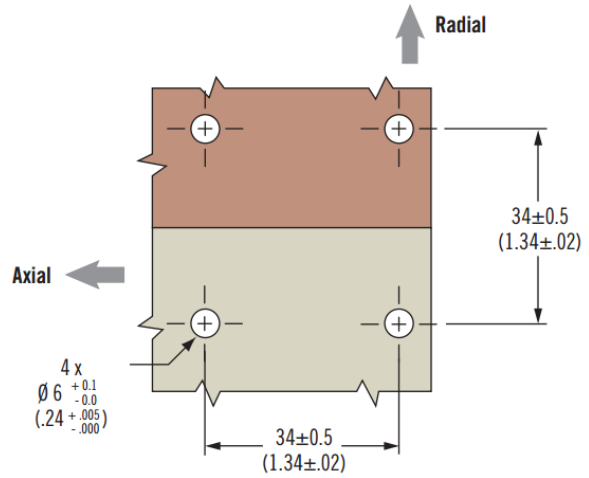
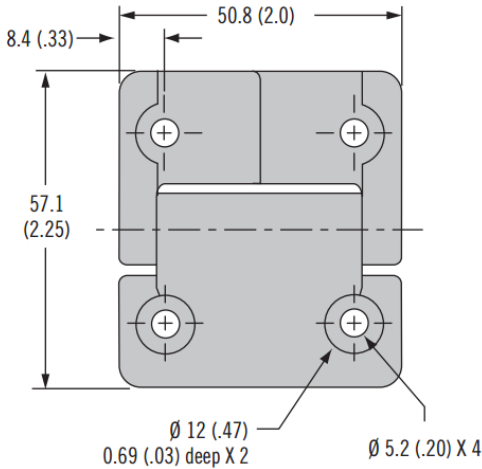
- Holds in every position
- No adjustment required
- Long cycle life

Material

- Zinc alloy, black paint

Product Performance

- Cycle performance:
 - 20,000 cycles within $\pm 20\%$ of static torque specification
- Radial load:
 - Maximum static load: 200 N
 - Average ultimate load: 11,000 N
- Axial load:
 - Maximum static load: 200 N
 - Average ultimate load: 2,800 N



Symmetric

Asymmetric

Part Number	Symmetric Torque N·m (in·lbf)
E6-10-400-50	Free operating
E6-10-416-50	1.8 (16)
E6-10-420-50	2.3 (20)
E6-10-430-50	3.4 (30)

Part Number	Forward Torque N·m (in·lbf)	Reverse Torque N·m (in·lbf)
E6-10-420F-50	2.3 (20)	1.4 (12)
E6-10-430F-50	3.4 (30)	2.0 (18)
E6-10-440F-50	4.5 (40)	2.7 (24)
E6-10-420R-50	1.4 (12)	2.3 (20)
E6-10-430R-50	2.0 (18)	3.4 (30)
E6-10-440R-50	2.7 (24)	4.5 (40)